

SCore Live

New SCore Live engine doubles the DSP capability

Studer has upgraded the DSP backbone of its entire Vista range of consoles with the introduction of the smaller yet much more powerful SCore Live DSP platform.



The SCore Live system occupies just 6U rack space, provides for up to 10 DSP cards and can also hold up to 12 I/O cards of various formats, additional GPIO.

Unlike other DSP platforms, however, the SCore Live is user-configurable to maximise the use of the DSP in different applications. The advantage of this is that the user can specify and purchase the optimum amount of DSP for current needs and yet not compromise future production requirements. Fixed configuration DSP platforms can add extensive cost onto a console system.

Using the latest technology advances coupled with our continual innovation means that Studer can bring the cost of higher-powered console systems down in price, yet still increase the performance levels.

Studer's System Configuration Editor software, available as an option, allows clients to take the factory-defined settings, and make their own adjustments on a job-by-job basis, including changing the number of input channels, busses, and outputs. Even the signal flow capabilities within the console may be changed on an application basis, making the Vista console one of the most flexible digital desks on the market.

A new facility in the DSP allows delays of up to 10 seconds to be added to signals, to compensate for video delays through satellite links etc.

The SCore Live maintains full redundancy, with redundant power supplies and even DSP card redundancy. In the case of a hardware failure any unused DSP card will take over the processing almost immediately. Further, a redundant link between desk and core is available, as is a redundant communication card.

SCore Live

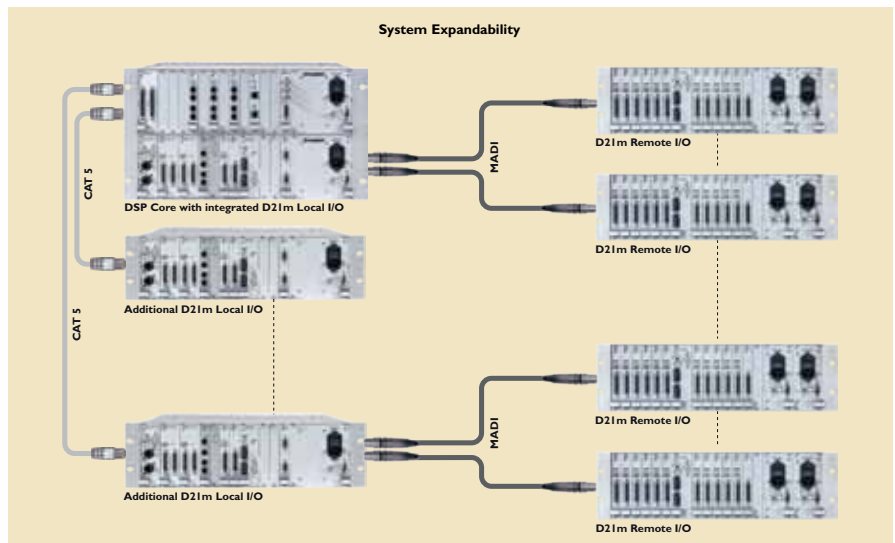
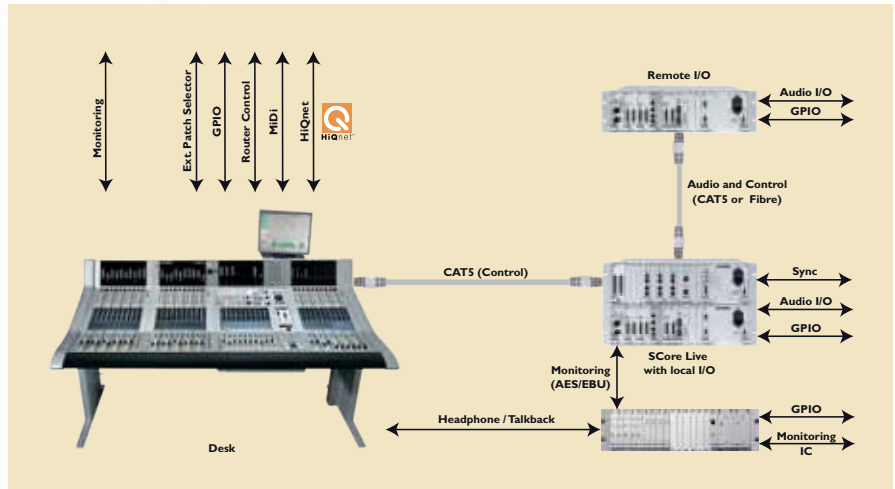
In the case of a total power loss of the system the core will boot independently of the desk and pass audio in under 10 seconds – recalling the last audio settings before the power failure.

As always with Studer, no compromises are made on sound quality - the SCore Live uses the highest possible quality converters with the very same highly acclaimed processing algorithms with 40-bit floating point arithmetic like its predecessor to guarantee the best resolution of the audio at all signal levels, particularly in the A/D and D/A converter stages. Floating point summation, a feature not found in many digital console designs, is used in the console busses.

Customers with existing Vista series consoles will be able to upgrade to the new SCore Live.

The overall system block and the integration of SCore Live and its D21m system is illustrated by the example of a Vista 8 desk. Vista 6 and 7 integrate in the same way.

The overall DSP and I/O system can be expanded to accommodate up to over 1,700 inputs and outputs. I/O frames and their I/O card configuration are automatically recognized, making porting a remote I/O box (e.g. stagebox) between different consoles on a day by day basis very easy.



STUDER
by HARMAN

Studer Professional Audio GmbH, Riedthofstrasse 214, CH-8105 Regensdorf-Zurich Switzerland
Phone +41 44 870 75 11, Fax +41 44 870 71 34
Studer USA, 8500 Balboa Boulevard, Northridge, CA 91329, USA
Phone +1-818-920-3212, Fax +1-818-920-3208

www.studer.ch

Studer reserves the right to improve or otherwise alter any information supplied in this document or any other documentation supplied hereafter. E&OE 05/10

BD 10.265850